

SPEAKMAN COMPANY

FLW (Flow Switch) & FLW-DPDT (Flow Switch –Double Pole/ Double Throw) Installation, Maintenance & Operation Instructions

SPECIFICATIONS

(FLW)

FLOW SWITCH: SPDT, 5A @ 120VAC

JUNCTION BOX: ¾”- 2 Outlet, NEMA 4 Metallic Junction Box.

TEE: 1” x 1” x ½” NPT Galvanized Tee.

ELECTRICAL CLASSIFICATION: Flow Switch Assembly Rated For Class 1, Div. 2, Groups B, C, D

(FLW-DPDT)

FLOW SWITCH: DPDT, 5A @ 120VAC

JUNCTION BOX: ¾”- 3 Outlet, NEMA 4 Metallic Junction Box.

TEE: 1” x 1” x ½” NPT Galvanized Tee.

ELECTRICAL CLASSIFICATION: Flow Switch Assembly Rated For Class 1, Div. 2, Groups B, C, D

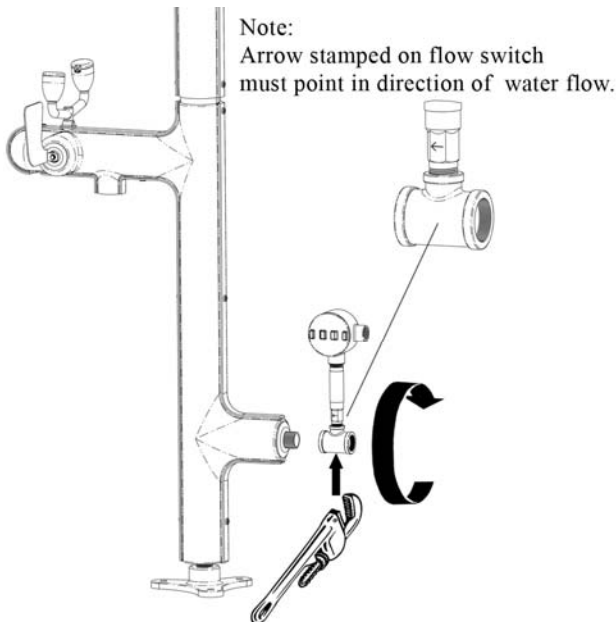
TYPICAL INSTALLATION INSTRUCTIONS

**** IMPORTANT ** : TURN ALL ELECTRICAL POWER TO UNIT OFF BEFORE MOVING FORWARD !!!!!!!**

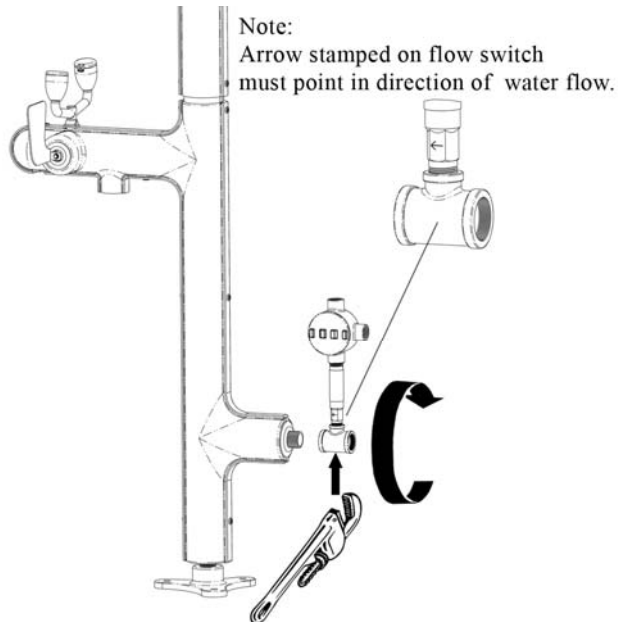
**** IMPORTANT ** : TURN WATER SUPPLY TO UNIT OFF BEFORE MOVING FORWARD !!!!!!!!!!!!!!!!!!!!!**

Both the single pole/double throw & double pole/double throw flow switches are assembled by connecting them to the 1” NPT Male water inlet connection on the emergency shower unit. Apply thread locker/sealant to 1” NPT Male thread of emergency shower water inlet pipe. ***Making sure the arrow stamped on the flow switch is pointing in the direction of water flow***, thread flow switch assembly on to emergency shower inlet. Wrench tighten flow switch assembly to emergency shower by placing wrench on galvanized tee of flow switch assembly only. ***Do not grab flow switch or junction box to tighten***. Once connection is tight and flow switch is positioned accordingly, attach water supply to 1” NPT Female inlet of the flow switch assembly using thread locker/sealant. Remove junction box cover and ***make electrical connections using the wiring schematic below, following all local, and NEC electrical codes***. Re-attach all junction box covers, etc. and turn power, as well as water supply on. Once power and water supply are turned on, test the flow switch for proper operation by activating emergency shower and/or emergency eyewash.

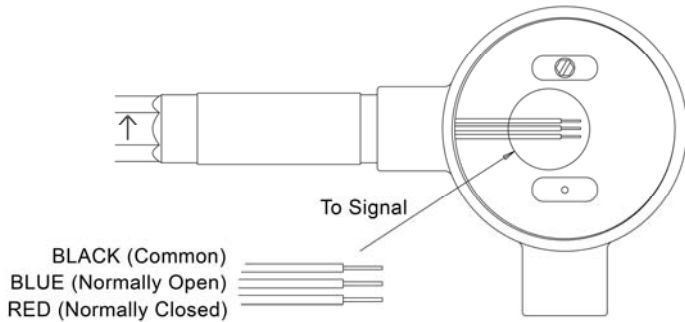
FLW INSTALLATION



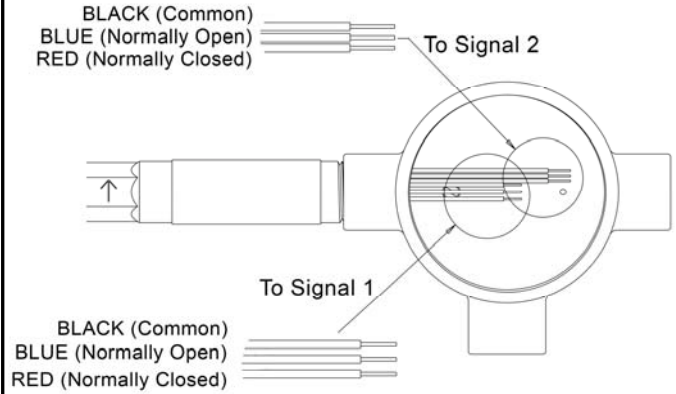
FLW-DPDT INSTALLATION



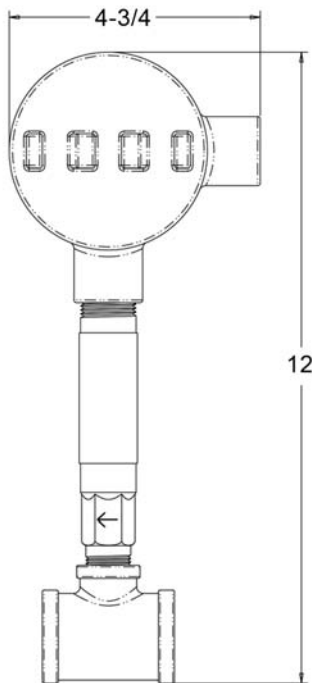
FLW WIRING



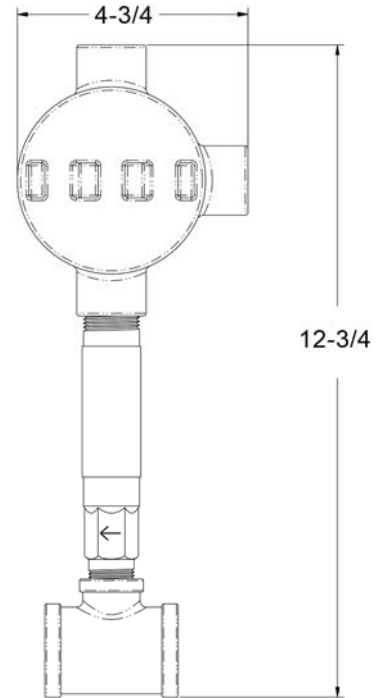
FLW-DPDT WIRING



ROUGH IN DIMENSIONS



FLW ROUGH-IN



FLW-DPDT ROUGH-IN

MAINTENANCE

The flow switch should not require maintenance. Should you need parts to repair this unit, please reference the parts listing below for correct part numbers. **WARNING: Use only genuine Speakman parts when repairing or replacing components. To order parts call 1-800-537-2107.**

FLW & FLW-DPDT REPLACEMENT/REPAIR PARTS

<u>PART/GROUP #</u>	<u>DESCRIPTION</u>
N/A	Re-Order Entire FLW or FLW-DPDT Unit.

SPEAKMAN[®]
 PO Box 191 Wilmington, DE 19899 Phone: 800-537-2107 Fax: 800-977-2747
 Visit us on the web at www.speakmancompany.com